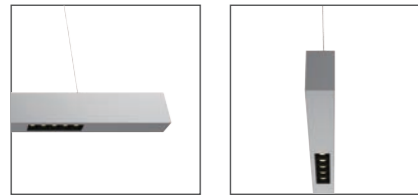


UGR < 16



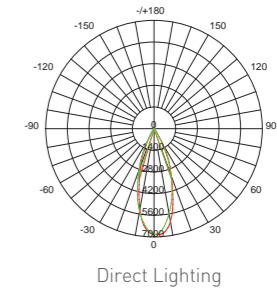
ORDERING INFORMATION

LUMINAIRE	FINISH	LENS	LENGTH	COLOR QUALITY ¹	COLOR TEMP ²	CRI	INSTALL ACCS.	IP GRADE	CONTROL OPTOINS
U508533	W White	15 -15Deg. Reflector Louver	4- 1208mm CM- Customized	3 3-Step MacAdam Ellipse	30-3000K	80 80+ CRI	P Aircraft cable pendant W Wall Mounted M Ceiling Mounted	22 IP22	D1- DALI D2- 0-10V D3- On/off
	B Black	30 -30Deg. Reflector Louver			40-4000K	90 90+ CRI			
	S Silver	45 -45Deg. Reflector Louver			50-5000K 65-6500K				

1. Blueview's standard is 3-Step MacAdam
 2. The listed Color Temperature is only available in CRI80+ in Nichia Chips. For more options, pls. check with your executive sales.
 3: Nichia's CRI 90+ option's is not the general inventory, the leading time is around 4weeks for it. Please check with your executive sales in details.

SPECIFICATIONS

Voltage	220V-240VAC / 100V-240 VAC 29-34 VDC Constant Current	
Width / Height	W50mm x H85mm	
Length	1208mm W 4sets louver reflector Kit	132.5mm
Power (W/m /ft)	23 W/pc	5.5 W/pc
Efficacy Up to	90lm/w	90lm/w
Control	Dali , 0-10V, on/off	



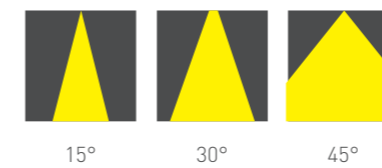
SPECIFICATIONS

NICHIA RA 80	Color Temperature	3000K	4000K	5000K	6500K
	Lumen / Length	1717lm / 1.2m	1902lm / 1.2m	1902lm / 1.2m	1902lm / 1.2m
NICHIA RA 90	Color Temperature	3000K	4000K	5000K	6500K
	Lumen / Length	1516lm / 1.2m	1680lm / 1.2m	1680lm / 1.2m	1680lm / 1.2m

Note:

- The given data are typical values in 4sets 30Deg. Reflector Louver kit. Due to tolerances of the production process and the electrical components, values for light output and electrical power can vary up to 10%.
- 15% less on luminous flux at Traic driver,DALI and 0/1-10V driver, and -10% Non-Dim driver.
- Above data based on Non-Dimmable for all luminaires.
- More customized LED and CCT available.

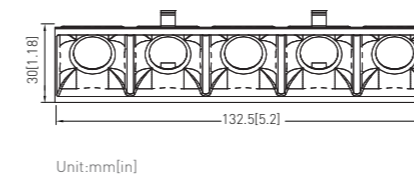
BEAM ANGLE

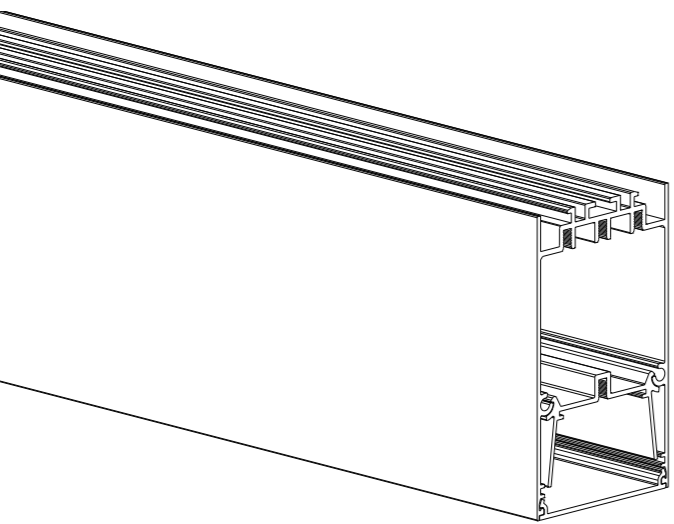


LED CHIPS AND DRIVER OPTIONS



DIMENSIONS





LUZ Series is linear LED lighting fixture that features a Down lighting. It's mostly simulating the natural lighting enviroment. Fixture features 80+ or 95+ Ra LEDs. White color from 2700K to 6500K. Dimmable driver available in Dali, 0/1-10V,DMX, PWM type. Fixture lengths are available in 2ft,4ft,5ft and 8ft, and custom lengths are available in 19.6ft.

- ▶ PC diffuser Mostly simulating thenatural lighting
- ▶ Sus-Pendant, Ceiling/Wall Mounted, Trimless / Trimed Recessed installation
- ▶ Designed and engineered with the architectural specifier in mind
- ▶ Refined construction and classic linear illumination

RANGE OF APPLICATIONS

General or local lighting in Office, Educational Instituions, Conference Rooms and many other workspaces.

ELECTRIC GEAR

Constant current 0-10V / DALI / Non-dim dirvers, Setable white, Dual white / Dime2Warm, DMX, PWM lighting solution available.

ACCESSORIES

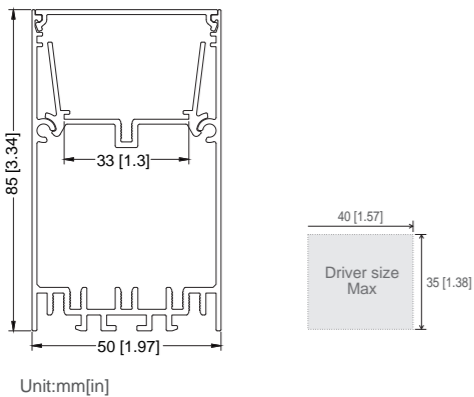


Wall Mounted Kit Ceiling Mounted Kit

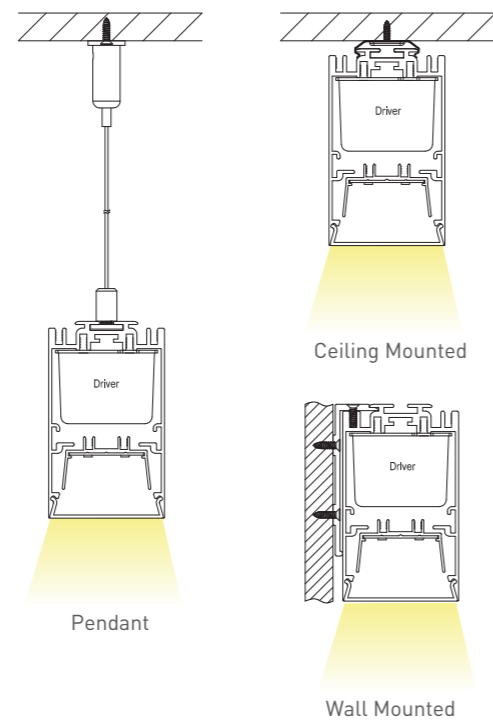


Aircraft Cable Pendant Kit

DIMENSION

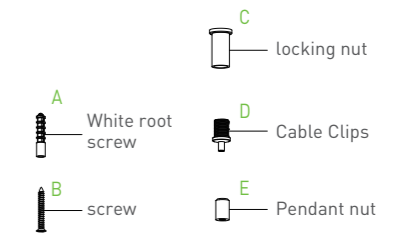
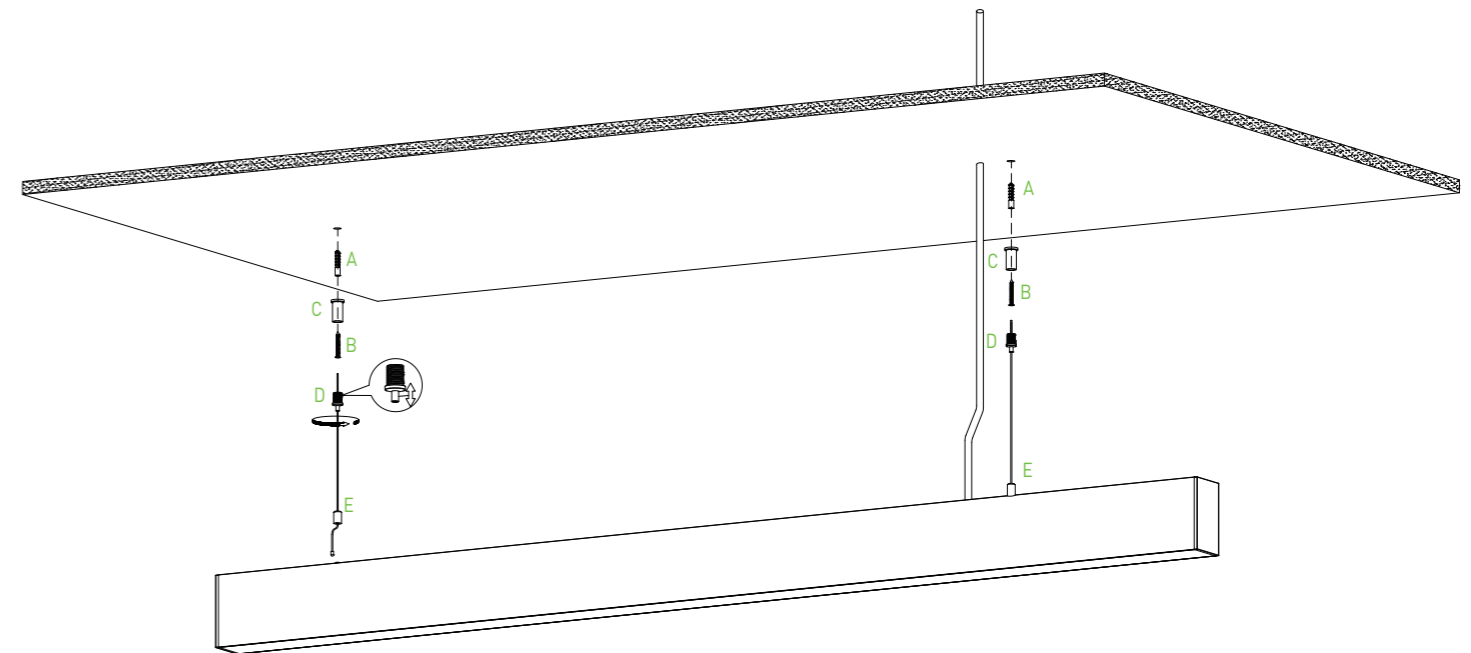


INSTALLATION



PENDANT INSTALLATION

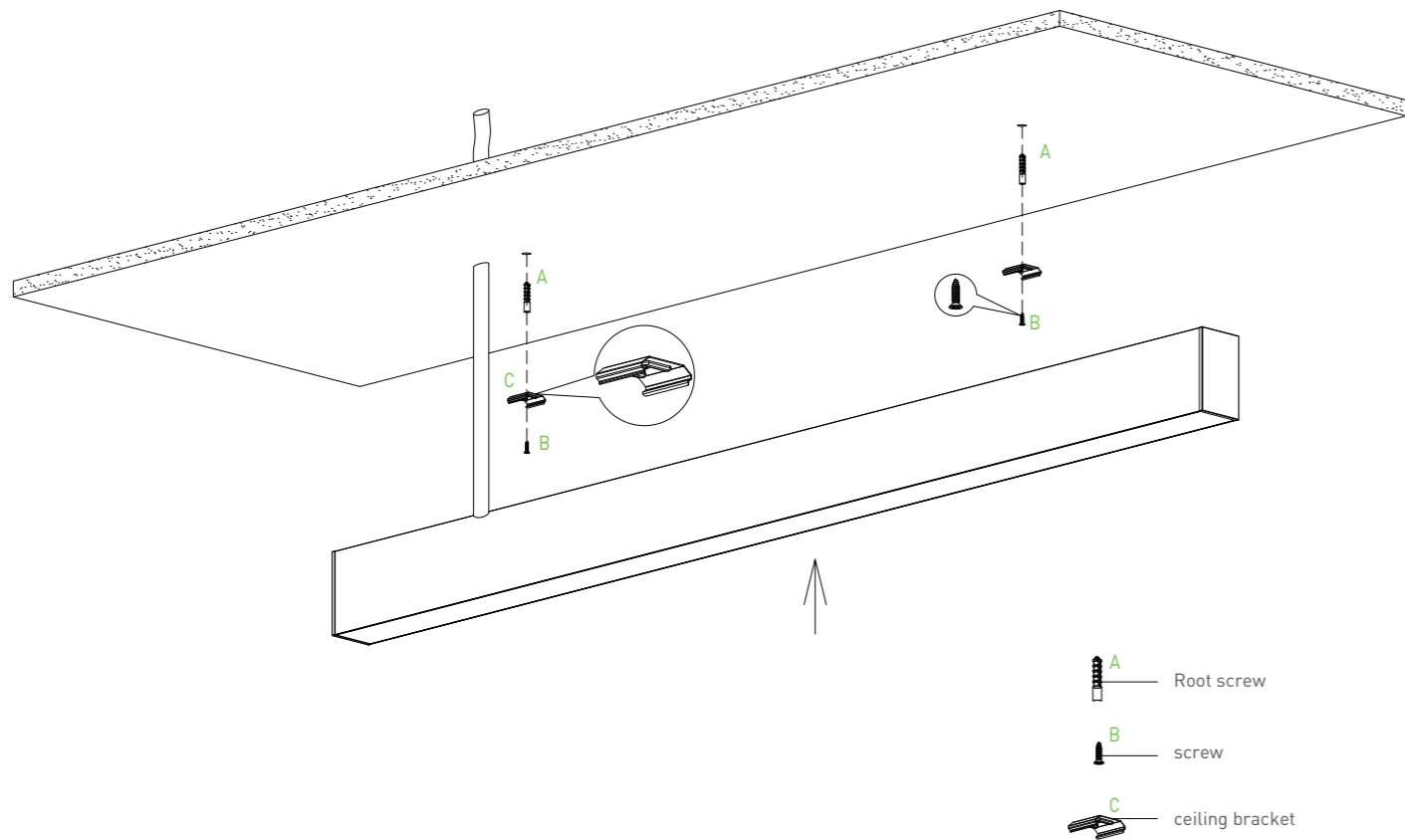
Caution: Turn off power to electrical box before installing!



- 1 Determine the installation position of the luminaires, and drill 2 holes on the ceiling. Make sure these holes in the same straight line, and the distance between 2 holes should be less than Luminaire's length.
- 2 Insert the White Root Screw (A) in the drilled hole, and fix the ceiling locking nuts (C) into the Root Screw (A) by offered Screws (B).
- 3 Assemble pendant cable into the Pendant nut (E) and the Cable clips (D) .
- 4 Adjust the pendant cable length by Cable Slips (D), make sure the luminaire will be in the satisfied height.
- 5 Lock the Pendant nut (E) into the base on the luminaires.
- 6 Adjust the base on the luminaire and make sure the pendant cable is 90degree vertical straight. Then the installation complete.

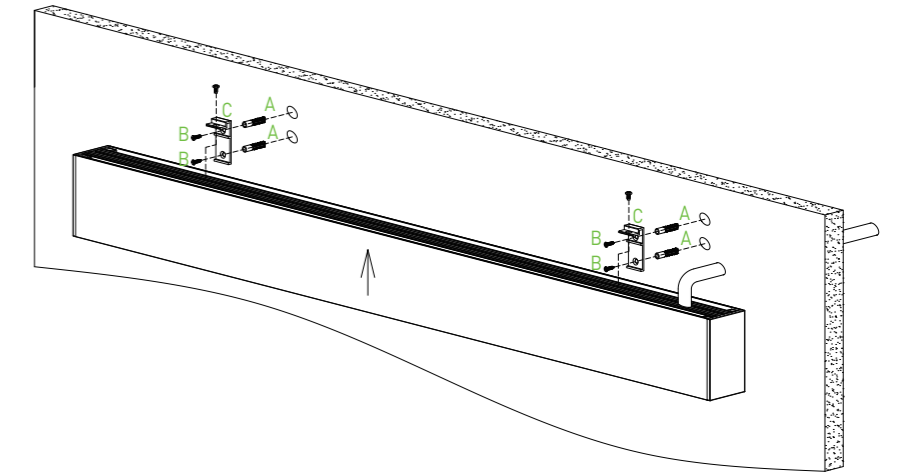
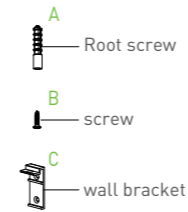
CEILING SURFACE MOUNTING INSTALLATION

Caution: Turn off power to electrical box before installing!



- 1 Determine the installation position of the luminaires, and drill 2 holes on the ceiling. Make sure these holes in the same straight line, and the distance between 2 holes should be less than Luminaire's length.
- 2 Insert the White Root Screw (A) in the drilled hole, and fix the ceiling brackets (C) into the Root Screw (A) by offered Screws (B).
- 3 Wiring the AC cables and insert the extra length into the ceiling.
- 4 Push the luminaire into the Bracket (C), make sure it's installed solid on the ceiling.

WALL MOUNTING INSTALLATION



- 1 Determine the installation position of the luminaires, and drill 2 holes on the wall. Make sure these holes in the same straight line, and the distance between 2 holes should be less than Luminaire's length.
- 2 Insert the White Root Screw (A) in the drilled hole, and fix the Wall brackets (C) into the Root Screw (A) by offered Screws (B).
- 3 Wiring the AC cables and insert the extra length into the back of the wall.
- 4 Push the luminaire into the Bracket (C), screw the luminaire and bracket together from the top of the them. Make sure it's installed solid on the wall after.

INSTRUCTIONS FOR INSTALLATION AND USE

WARNING : The security of this equipment is guaranteed only with compliance of these instructions, so you must keep them. Installation and all non-routine maintenance must be carried out only by qualified personal.

Disconnect power before taking any action on the fitting.

Blueview is not responsible for any damage to persons and/or property resulting from improper installation, misuse, or unauthorized modifications made to their products.

Obtain the correct power supply unit (accessory not included), install it in a remote location and prepare the cables for their connection

Connect to the power supply (PAYING ATTENTION TO OBSERVE POLARITY, parallel connection)

Explanation of the symbols on the label.

Due to a program of continuous improvement information is subject to change without notice.
© Blueview 2020 - All rights reserved. Made in China.

BLUEVIEW ELEC-OPTIC TECH CO.,LTD
Tel: +86-28-8148 0011 Fax: +86-28-8148 1258
Mail: sales@blueviewled.com
Web.: www.blueviewled.com
Add: No.1000, Konggang 2nd Konggang Road, Southwest Aviation Industrial Zone, Chengdu, China. 610207